

# Infratek BM51 Remote Battery String Monitor

The BM51 Battery String Monitor is easy to use, and simple to install connecting only three test lead terminals to the battery string. Once connected the set-up is fully automatic. The BM51 is suitable for 2V to 150V, and 10Ah to 10'000Ah batteries. It periodically measures two voltages, ambient temperature, midpoint impedance, operating time, discharging time, and monitors error conditions. Deviations outside preset limits activate an alarm.

The monitor is either supplied from the battery or from an external 7V to 70V DC-supply. At installation, or at any time later, measured values and alarm conditions can be read via Interface, or preset limits can be modified using a Computer. The BM51 interface- and relay outputs are isolated. Consequently, on high voltage batteries several BM51 can be cascaded without endangering the operator.

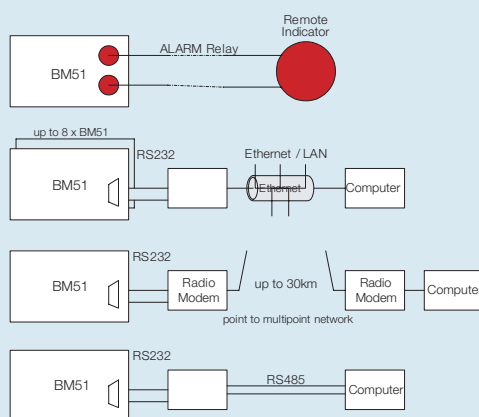
## Specifications

<b>Battery Size, Battery Type</b>	10 Ah–10 000 Ah, all battery types
<b>Battery Voltage</b>	2V–600V, 2V–6V use external supply above 150V BM51 can be cascaded
<b>BM51 Voltage Ranges</b>	0–15V, 0–50V, 0–150V; accuracy 0.2%
<b>Midpoint Impedance Ranges</b>	0–1 m $\Omega$ , 0–10 m $\Omega$ , 0–100 m $\Omega$ , 0–1 $\Omega$ , 0–10 $\Omega$ ; accuracy 1%
<b>RS232 Output, 2kV Isolation</b>	Vmd, Vhi, Tambient, Impedance, Operating Time, Duration of discharge, ALARM on/off
<b>Alarm Output</b>	Relay closing on voltage below or impedance above limits.
<b>Factory set Alarm Limits</b>	Voltage –10%, impedance +40%, measurement interval 24 hours for impedance, 0.3 seconds for voltage
<b>User defined Alarm Limits</b>	Use PC in terminal mode, limits are stored in non-volatile memory.
<b>Temperature</b>	0–50°C operating, –20 – +50°C storage.
<b>Supply</b>	7V to 70V from battery being monitored, or external
<b>Dimensions</b>	130 x 95 x 50mm; light gray ABS, 350 g.
<b>Mounting / Connecting cables</b>	Hook-and-loop tape local at battery. 1.5m cables terminated with 4mm cable lugs.

## Features

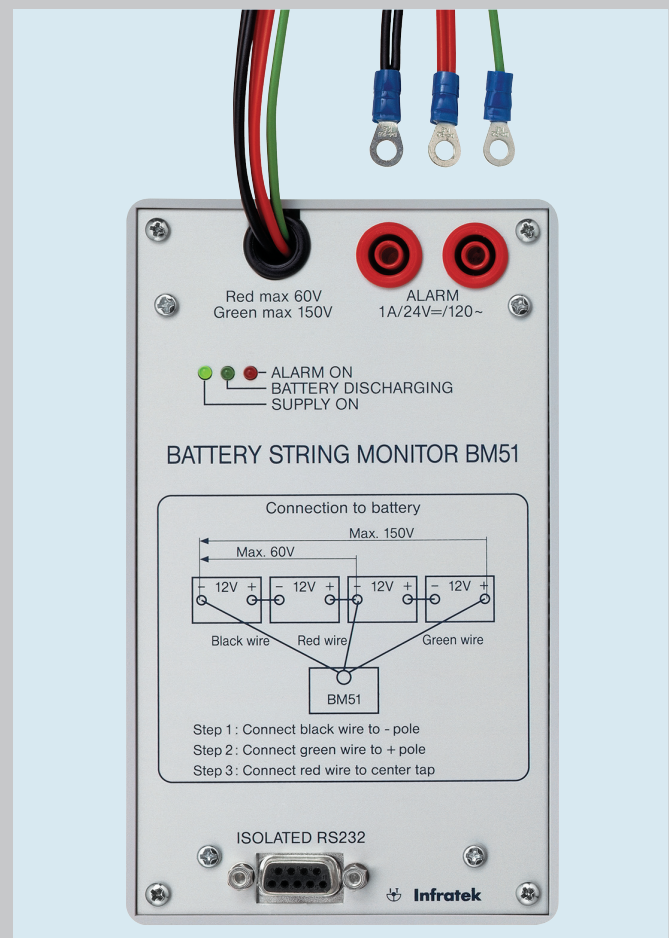
- Simple to use, automatic set-up
- Three terminal connection to battery
- Monitors seven battery parameters
- 2V to 150V, 10Ah to 10000Ah batteries
- User programmable alarm limits
- User programmable measurement intervals
- Far distance monitoring and programming
- Supply from battery under test or external
- Cascadable on high voltage batteries
- Potential free RS232 and alarm output

## Remote Battery Monitoring



## Applications

Monitoring back-up batteries for UPS and other emergency supplies used by airports, hospitals, utilities, telecom, industry, railroads, military, shipyards, and others.



**Infratek AG**  
Weingartenstrasse 6  
8707 Uetikon am See  
Switzerland

**Phone 0044 (0)44 920 50 05**  
**Fax 0044 (0)44 920 60 34**  
**www.infratek-ag.com**  
**info@infratek-ag.com**

**Distributed by:**